



Boulevard Early Learning Centre Mt Warren Park, QLD

Acoustic Solutions for Child Care Facilities

Challenge

With changes in regulations, local councils are imposing strict acoustic guidelines on Child Care Centres across Australia. The Boulevard Early Learning Centre at Mt Warren Park, QLD, found itself in such a situation recently. Located amidst a residential housing area, the centre required an acoustic barrier to shield local residents from the play ground noise. In addition, the childcare centre consisted of two buildings with separate outdoor play facilities and verandahs for each – both of which were situated next to busy main roads. Hence, the solution also needed to ensure the children's safety from the surrounding busy roads. Another key requirement was fast installation so that the child care centre could become operational.

Solution

The SlimWall™ panel fencing system was deemed suitable for the needs of this project. Incorporating the AcoustiMax™ 50 panels, SlimWall™ has proven noise reduction qualities of 20 +dB. In addition, the simplicity of design also allows for quick and easy construction. Two sections of SlimWall™ measuring 1.5m high by 52m length and 1.5m high by 68m in length were installed in just 4 days.



**Modular Wall
systems**

**Industry Leader in Innovative
and Cost-Effective Acoustic and
Boundary Walls**

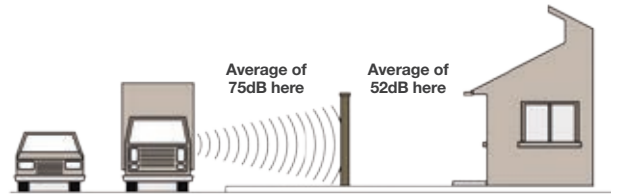
- Proven acoustic performance
- Cost effective
- Durable, light weight modular construction
- Quick and easy installation
- Suited to environmentally harsh and remote locations
- Good green efficiency rating



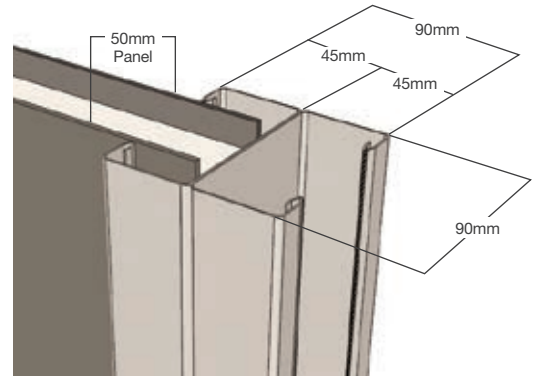
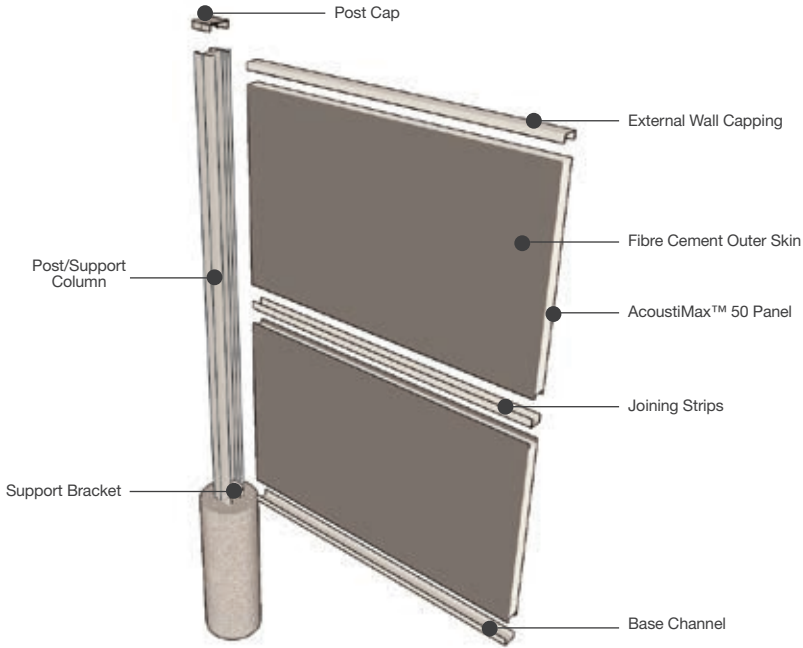
Call us on **1300 556 957** or visit
www.modularwalls.com.au

Acoustic Qualities

All Modular Wall Systems products have acoustic properties and are National Acoustic Lab tested and rated with reflective panels achieving a **20+ dBA** improvement and absorption panels exceeding a **Noise Reduction Coefficient (NRC) of 0.9**.



Slimwall™ Construction



Slimwall™ Post

Footing Depth Table

Wall Height	Hole Depth into firm earth or clay		Hole Depth into sand, soft clay or loose earth		Hole Diameter
	Wind Region A & B Terrain Categories 2.5 & 3*	Approx. Concrete Required (20kg bags)	Wind Region A & B Terrain Categories 2.5 & 3*	Approx. Concrete Required (20kg bags)	
900mm	450mm	1.5 per hole	550mm	1.5 per hole	200mm
1200mm	550mm	2 per hole	650mm	2 per hole	200mm
1500mm	600mm	2 per hole	700mm	2.5 per hole	200mm
1800mm	650mm	2 per hole	800mm	3 per hole	200mm
2100mm	700mm	2.5 per hole	900mm	3 per hole	200mm

* Contact our team directly for specifications relating to TC 2.0.

'Post Centre to Post Centre' guide

Slimwall™ 50 AcoustiMax™	
PANEL SIZE	POST CENTRES
2400mm	2420mm

